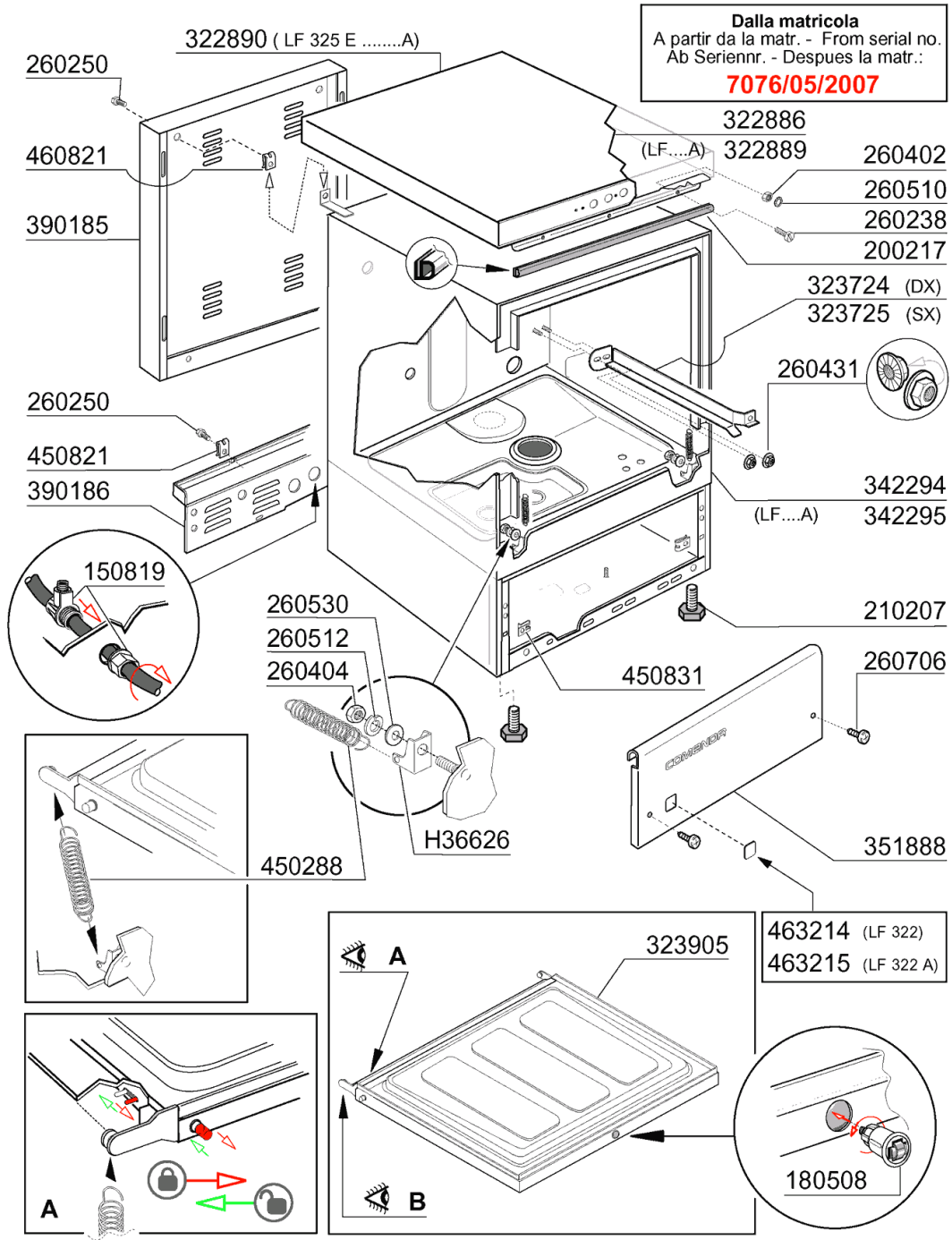


2 - Hood/Tank

CODE	DESCRIPTION
150819	CABLE HOLDER PG16 WITH HOLE
180506	DOOR CATCH BR-BC-FC
200216R	DOOR GASKET LF
200961	PAD FOR DOOR
210207	FOOT BHC
260159	SCREW
260238	M4 X 10 MUSH/HD SCREW
260250	SCREW TB 5X20
260402	STAINLESS STEEL NUT D4 UNI 55
260416	STAINLESS STEEL NUTS M6
260502	S/S FLAT WASHER D.4
260510	GROWER WASHER D.4
260512	ST/ST GROWER WASHER D6
260706	SCREW 3,9X13 S/S
322498	RIGHT RUNNER LF2004
322499	LEFT RUNNER LF2004
322886	COVER LF2004
322887	RIGHT DOOR RUNNER LF2004
322888	LEFT DOOR RUNNER LF 2004
322889	COVER LF2004 W/SOFTENER
322890	CAPPELLO LF 325E
323086	DOOR FRONT PANEL LF 2004
323087	DOOR BACK PANEL LF 2004
341927	DOOR PIN
342294	ASS.CARROZZ. LF 2004 STANDARD
342295	ASS.CARROZZERIA LF 2004 ADDOL.
351888	FRONT PANEL LF2004
390185	BACK PANEL LF2004
390186	PANEL
411004	PERMANENT MAGNET FOR MICROSWIT
450821	SPRING CLIP FASTENER SNU 3634
450830	SCREW
460416	-PANNELLO AUTOAD.X COIB.
681046R	COMPLETE DOOR LF2004

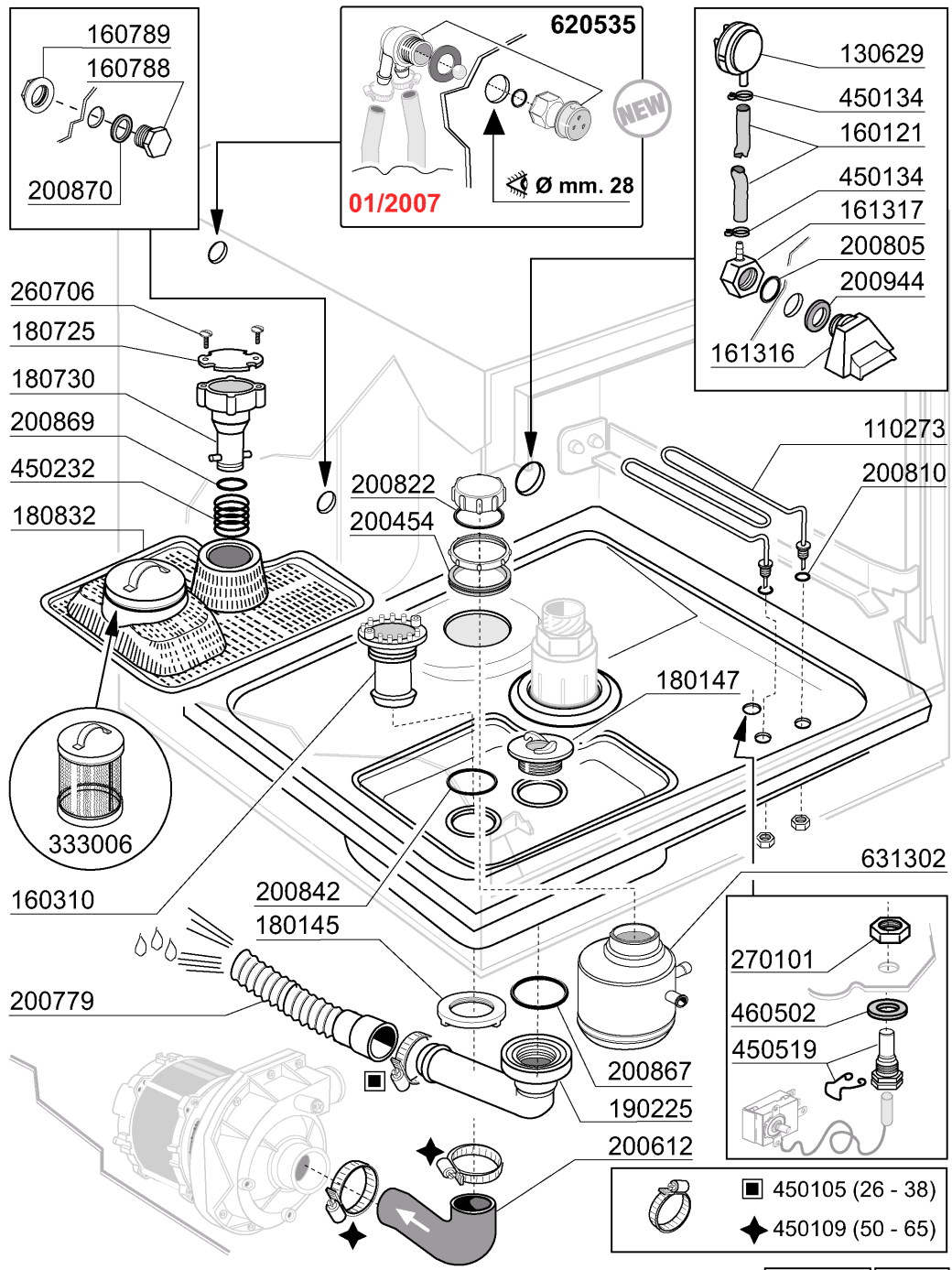


10 - 2007 | S. AG.



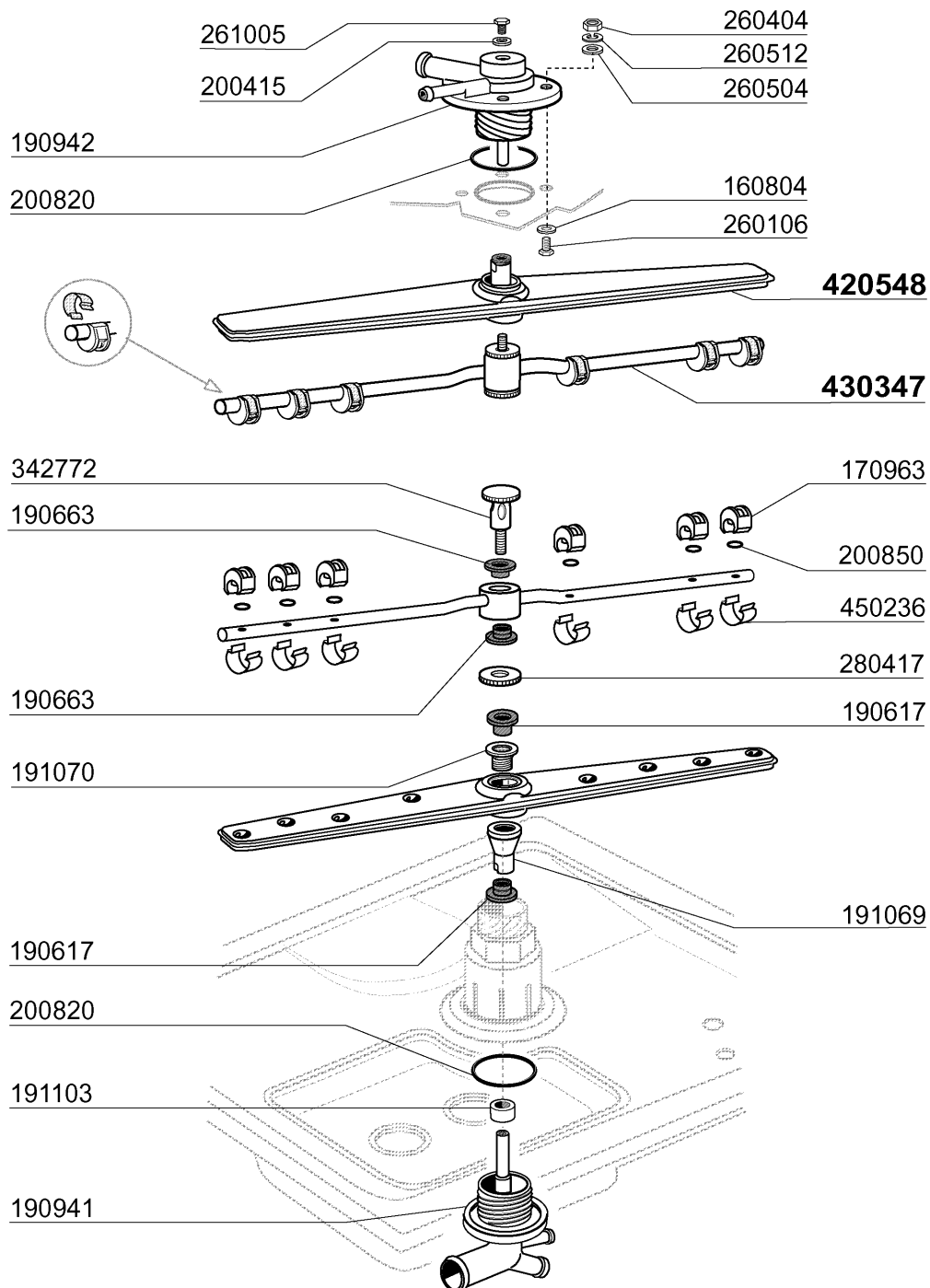
3 - Hood / Tank

CODE	DESCRIPTION
150819	CABLE HOLDER PG16 WITH HOLE
180508	DOOR CATCH
200217	DOOR JOINT
210207	FOOT BHC
260238	M4 X 10 MUSH/HD SCREW
260250	SCREW TB 5X20
260402	STAINLESS STEEL NUT D4 UNI 55
260404	STAINLESS STEEL NUTS D6 UNI 55
260431	NUT M5 DIN 6923
260510	GROWER WASHER D.4
260512	ST/ST GROWER WASHER D6
260530	STAINL.ST WASHER 7X22X2
260706	SCREW 3,9X13 S/S
322886	COVER LF2004
322889	COVER LF2004 W/SOFTENER
322890	CAPPELLO LF 325E
323724	RIGHT RACK GUIDE LF 2006
323725	LEFT RACK GUIDE LF 2006
323905	DOOR LF
342294	ASS.CARROZZ. LF 2004 STANDARD
342295	ASS.CARROZZERIA LF 2004 ADDOL.
351888	FRONT PANEL LF2004
390185	BACK PANEL LF2004
390186	PANEL
450288	DOOR SPRING
450821	SPRING CLIP FASTENER SNU 3634
450831	SCREW SUPPORT
460821	LABEL C34
463214	LABEL LF322
463215	LABEL LF322A
H36626	LF DOOR SPRING BRACKET



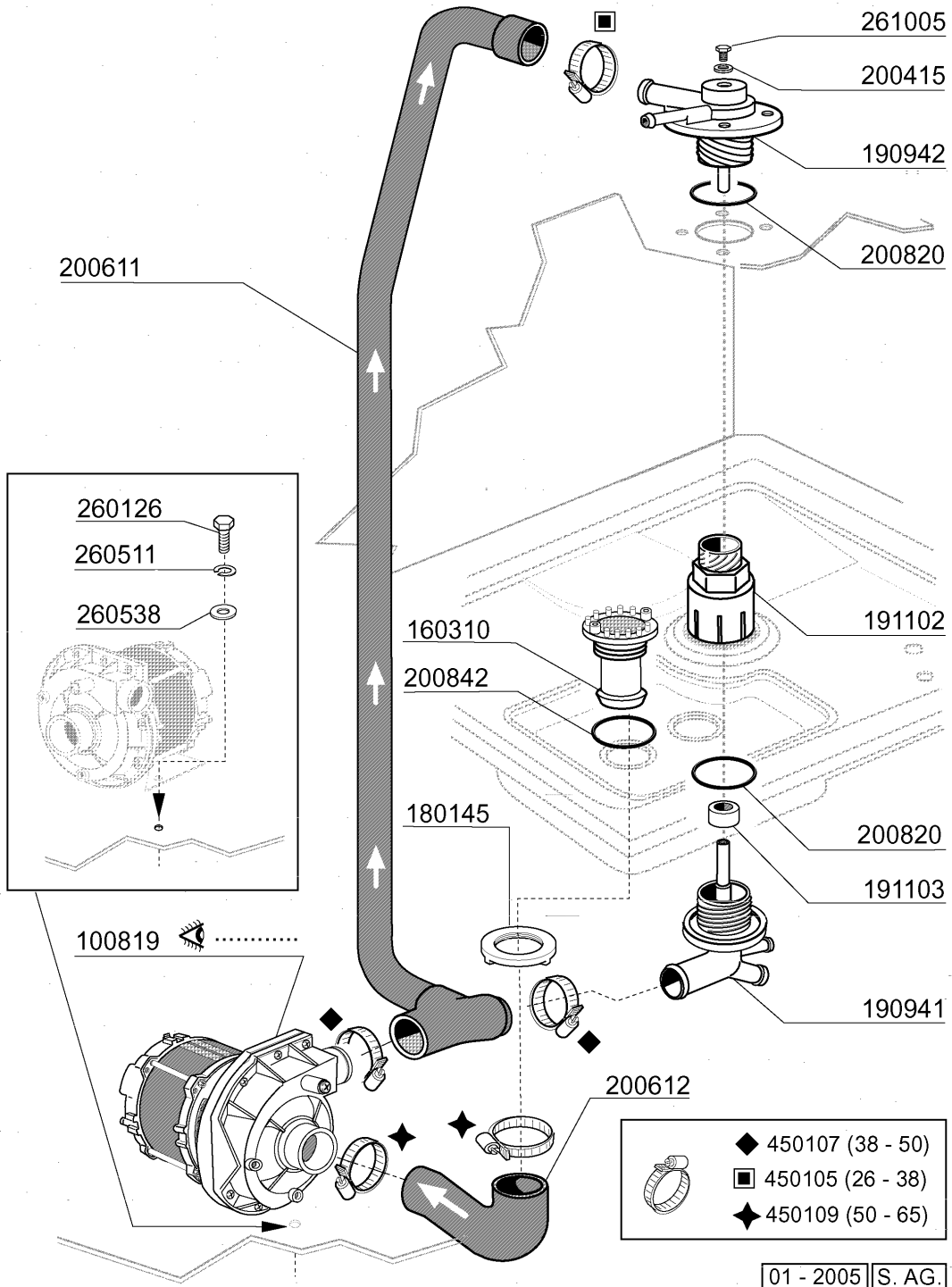
4 - Tank

CODE	DESCRIPTION
110273	TANK HEATER 2000W 230V
130629	PRESSURE SWITCH 1L30-12
160121	HOSE EPDM D. 5 X 9
160310	INLET HOSE BHC
160788	PLUG
160789	NUT
161316	AIR TRAP
161317	NUT FOR AIR TRAP
180145	NUT
180147	NUT
180725	OVERFLOW PIPE COVER
180730	OVERFLOW PIPE
180832	FILTER FOR LF TANK
190225	DRAIN OUTLET
200454	GASKET F. SALT CONT.
200612	PUMP INLET HOSE
200779	DRAIN HOSE FOR BR-BC-FC43
200805	OR GASKET 2,62X28,24X33,48
200810	O-RING 2,62X9,92X15,6 F.GLASSW
200822	PLUG GASKET OF SALT CONTAINER
200842	SEAL RING OR158 PB701 NITRILE
200867	GASKET
200869	GASKET
200870	GASKET 18X10X2
200944	GASKET
260706	SCREW 3,9X13 S/S
270101	HEXAGON LOCK NUT 1/2"
333006	FILTER
450105	CLAMP FE ZN. 26-38 H=12,2
450109	CLAMP 50-65
450134	ELASTIC HOSE CLIP D.9,3/8,8
450232	SPRING
450519	TANK THERMOSTAT SHIELD C-F
460502	GASKET 30X21X2
620535	VACUUM BREAKER
631302	SALT CONTAINER



5 - Wash arm

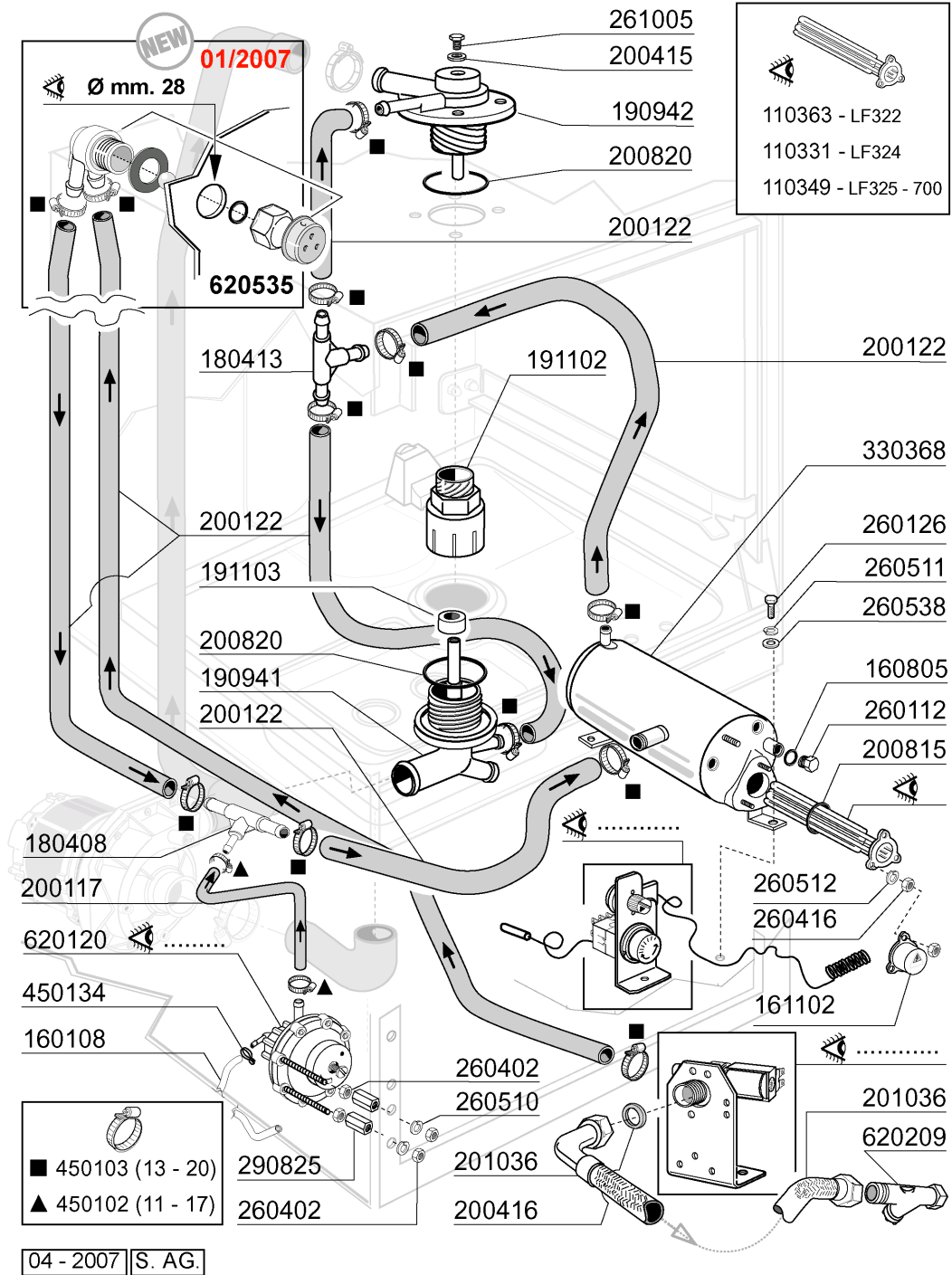
CODE	DESCRIPTION
160804	GASKET D.6
170963	RINSE JET X FC
190617	BUSH
190663	BUSH
190941	LOWER TEE WASH/RIN ARM
190942	UPP.TEE WASH/RIN ARM
191069	WASH ARM CENTER (FC - MACHINES
191070	LOCK NUT FOR WASH ARM CENTER (
191103	SPACER
200415	AIR TRAP GASKET -F2 18,5X10X3
200820	O-RING151 46,99X5,33X57,6
200850	O-RING
260106	SCREW TE 6X25
260404	STAINLESS STEEL NUTS D6 UNI 55
260504	ST/ST FLAT WASHER D6
260512	ST/ST GROWER WASHER D6
261005	SCREW F. TEE UP.WASH F2-B41
280417	RETAIN.LOCK NUT
342772	PIN
420548	FC WASH ARM (ST/ST)
430347	RINSE ARM LF322/325/700
450236	SPRING FOR WASHER 170963



6 - Wash Column

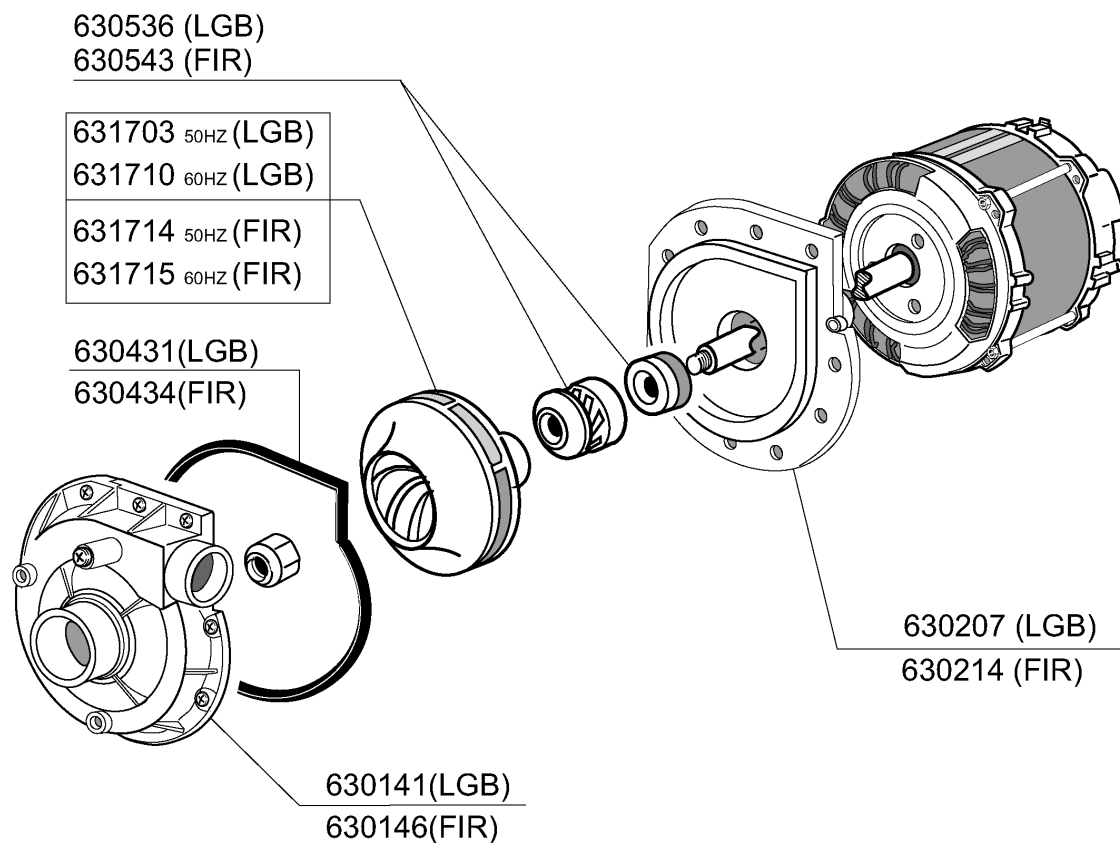
CODE	DESCRIPTION
100819	PUMP 1HP 220V
160310	INLET HOSE BHC
180145	NUT
190941	LOWER TEE WASH/RIN ARM
190942	UPP.TEE WASH/RIN ARM
191102	LOWER TEE WASH/RIN ARM
191103	SPACER
200415	AIR TRAP GASKET -F2 18,5X10X3
200611	OUTLET HOSE
200612	PUMP INLET HOSE
200820	O-RING151 46,99X5,33X57,6
200842	SEAL RING OR158 PB701 NITRILE
260126	SCREW TE 5X12
260511	GROWER WASHER D.5
260538	WASHER 18X6X1,5 ST/ST
261005	SCREW F. TEE UP.WASH F2-B41
450105	CLAMP FE ZN. 26-38 H=12,2
450107	CLAMP FE ZN 38-50 H=12,2
450109	CLAMP 50-65

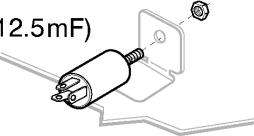
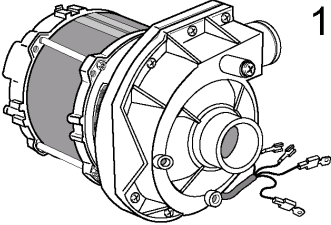
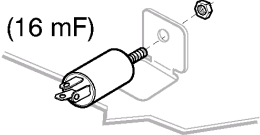
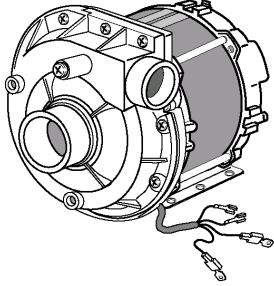
7 - Rinse assembly



7 - Rinse assembly

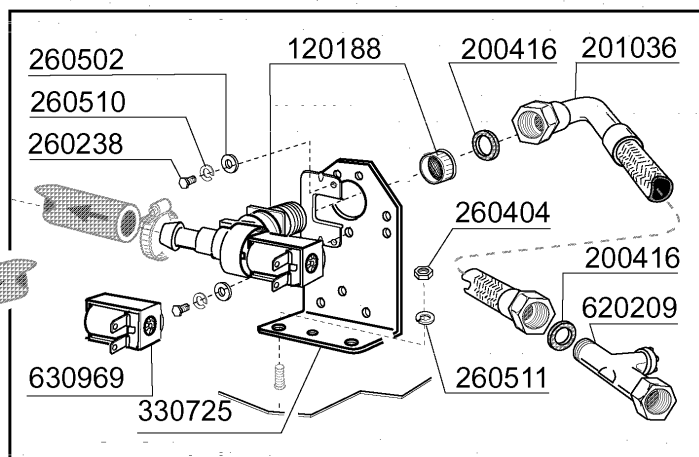
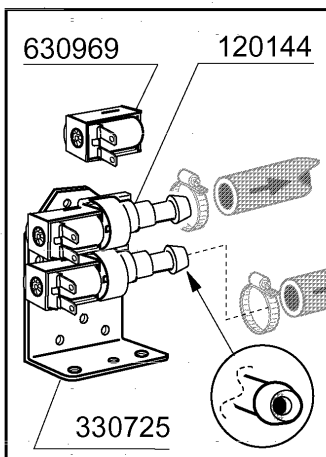
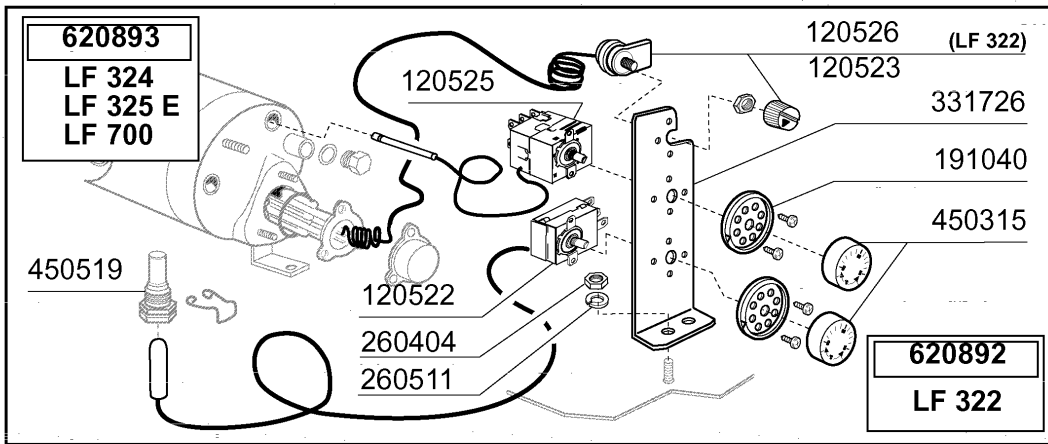
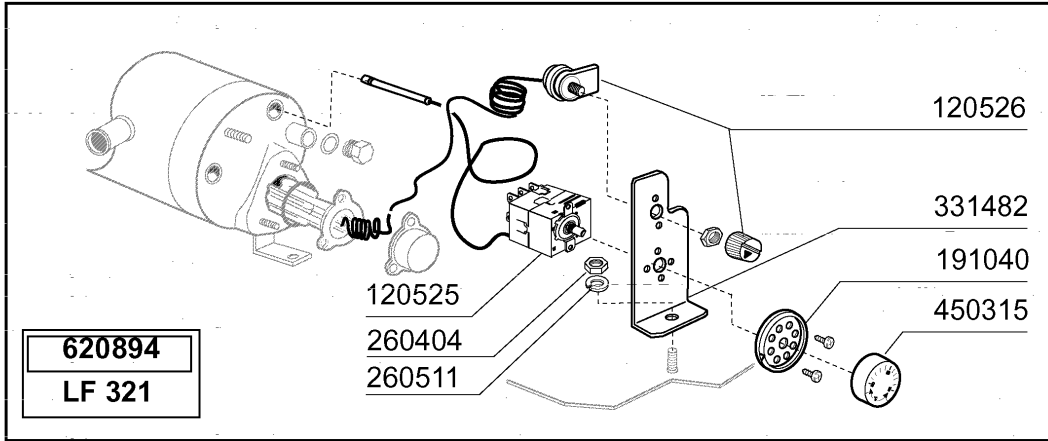
CODE	DESCRIPTION
110331	HEAT.ELEMENT 4200W 230/400V
110349	HEAT.ELEMENT 6000W 230/400V
110363	HEATING ELEMENT 3000W 230V
160108	INJECT.INLET HOSE D.8X5
160805	GASKET D.8
161102	ELEMENT COVER MOPL.
180408	TEE-NIPPLE F.INJECT.W/CENTR.RE
180413	TEE NIPPLE D.11,5 - RINSE ASSE
190941	LOWER TEE WASH/RIN ARM
190942	UPP.TEE WASH/RIN ARM
191102	LOWER TEE WASH/RIN ARM
191103	SPACER
200117	RUBBER HOSE 7X16
200122	HOSE 11X19
200415	AIR TRAP GASKET -F2 18,5X10X3
200416	GASKET D. 3/4"
200815	O-RING F. HEAT.ELEM.
200820	O-RING151 46,99X5,33X57,6
201036	INLET HOSE 2 MT
260112	STAINLESS STEEL TE-SCREW 8X16
260126	SCREW TE 5X12
260402	STAINLESS STEEL NUT D4 UNI 55
260416	STAINLESS STEEL NUTS M6
260510	GROWER WASHER D.4
260511	GROWER WASHER D.5
260512	ST/ST GROWER WASHER D6
260538	WASHER 18X6X1,5 ST/ST
261005	SCREW F. TEE UP.WASH F2-B41
290825	SPACER
330368	BOILER LF2004
450102	CLAMP FE ZN 11-17 H=9
450103	CLAMP FE ZN. 13-20 H=9
450134	ELASTIC HOSE CLIP D.9,3/8,8
620120	RINSE AID INJECTOR
620209	INLET WATER FILTER
620535	VACUUM BREAKER



<p>631207 (12.5mF)</p> 		<p>100820 (ZF 350 sx LGB) (4268.2350 FIR)</p> <p>Tensione: 230 V Frequenza: 50 Hz Potenza: Kw 0,45</p>
<p>631202 (16 mF)</p> 		<p>100819 (ZF 380 sx)</p> <p>Tensione: 230 V Frequenza: 50 Hz Potenza: Kw 0,75</p> <p>LF 700 - 700 A</p>

8 - Pump

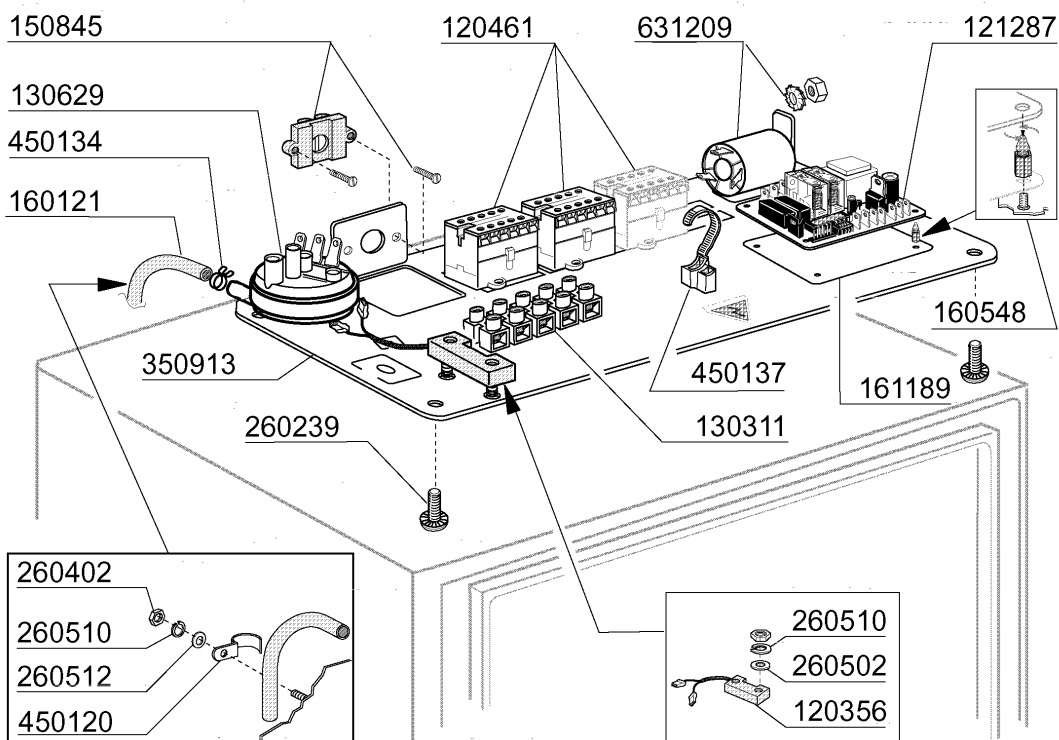
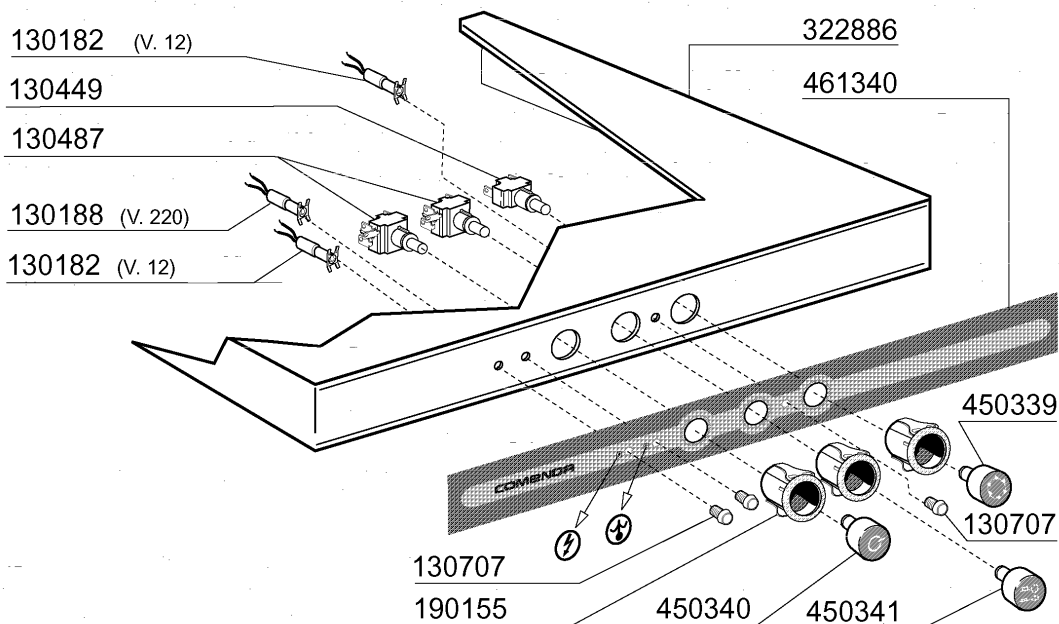
CODE	DESCRIPTION
100819	PUMP 1HP 220V
100820	PUMP 0,6HP 220V
630141	PUMP VOLUTE LGB ZF380SX
630207	PUMP FLANGE LGB ZF350SX 230V
630214	FLANGE PUMP HP0,75-1-1,5
630431	PUMP GASKET LGBZF350SX
630536	SEAL FOR PUMP LGB350SX
631202	CONDENSER 16 MF 450V
631207	CONDENSER 12,5MF. 450V 85C
631703	PUMP IMPELLER ZF350SX
631710	IMPELLER 60HZ ZF350SX



01 - 2005 | S. AG.

9 - Thermostat/solenoid valve group

CODE	DESCRIPTION
120144	SOLENOID VALVE FCA 20 LT TYPE
120188	SOLENOID VALVE 90Ø 1 WAY 220V
120522	TANK THERMOSTAT 90Ø
120523	SAFETY THERMOSTAT 110Ø
120525	BOOSTER THERMOSTAT 2 TEMPERAT.
120526	SAFETY THERMOSTAT 2POLES
191040	FRAME F.THERMOSTAT KNOB
200416	GASKET D. 3/4"
201036	INLET HOSE 2 MT
260238	M4 X 10 MUSH/HD SCREW
260404	STAINLESS STEEL NUTS D6 UNI 55
260502	S/S FLAT WASHER D.4
260510	GROWER WASHER D.4
260511	GROWER WASHER D.5
330725	STANDARD BRACKET F.SOLEN.VALV
331482	BRACKET FOR 2 THERMOST. B-F20
331726	BRACKET FOR 3 THERMOSTATS
450315	KNOB F. THERMOSTAT 90Ø
450519	TANK THERMOSTAT SHIELD C-F
620209	INLET WATER FILTER
620892	ASS.TERMOST. LF322
620893	ASSIEME TERMOS.LF324-325E-700
620894	ASS.2 TERMOST. LF321
630969	COIL S4216 220/50HZ

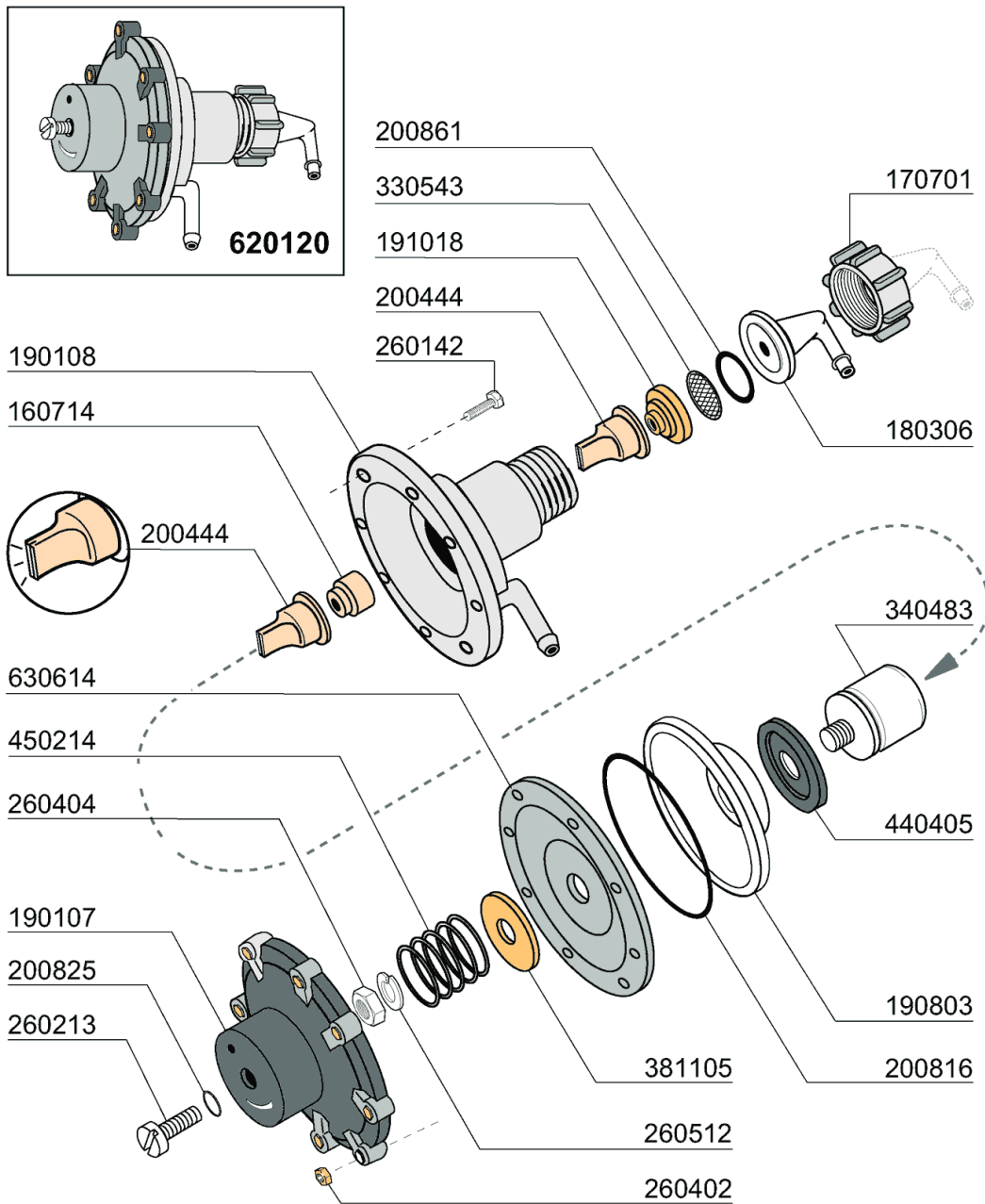


01 - 2005 | S. AG.

10 - Control box

CODE	DESCRIPTION
120356	DOOR MAGN.SWITCH
120461	CONTACTOR ABB B6-30-01 220V
121287	ELECTRONIC TIMER
130182	GREEN LAMP 12V
130188	GREEN LED 220V
130311	TERMINAL BLOCK
130449	PUSH BUTTON BR-BC-FC
130487	SWITCH
130629	PRESSURE SWITCH 1L30-12
130707	TRANSPARENT LENS COVERS (C-SER
150845	PRESSACAVO SERIM 4228B
160121	HOSE EPDM D. 5 X 9
160548	DISTANZ.TASTIERINI ELETTRONICI
161189	COVER
190155	BUTTON HOLDER
260239	SPECIAL S/S TB-SCREWS M6X20
260402	STAINLESS STEEL NUT D4 UNI 55
260502	S/S FLAT WASHER D.4
260510	GROWER WASHER D.4
260512	ST/ST GROWER WASHER D6
322886	COVER LF2004
350913	SUPP.IMPIANTO ELETT. LF / GF70
450120	ZINC CLAMP FOR HOSE D.7
450134	ELASTIC HOSE CLIP D.9,3/8,8
450137	COLLAR CONNECTION WITH BASE 31
450339	PUSH BUTTON "CYCLE"
450340	PUSH BUTTON
450341	PUSH BUTTON
461340	PLATE LF2004
631209	ANTI-NOISE FILTER

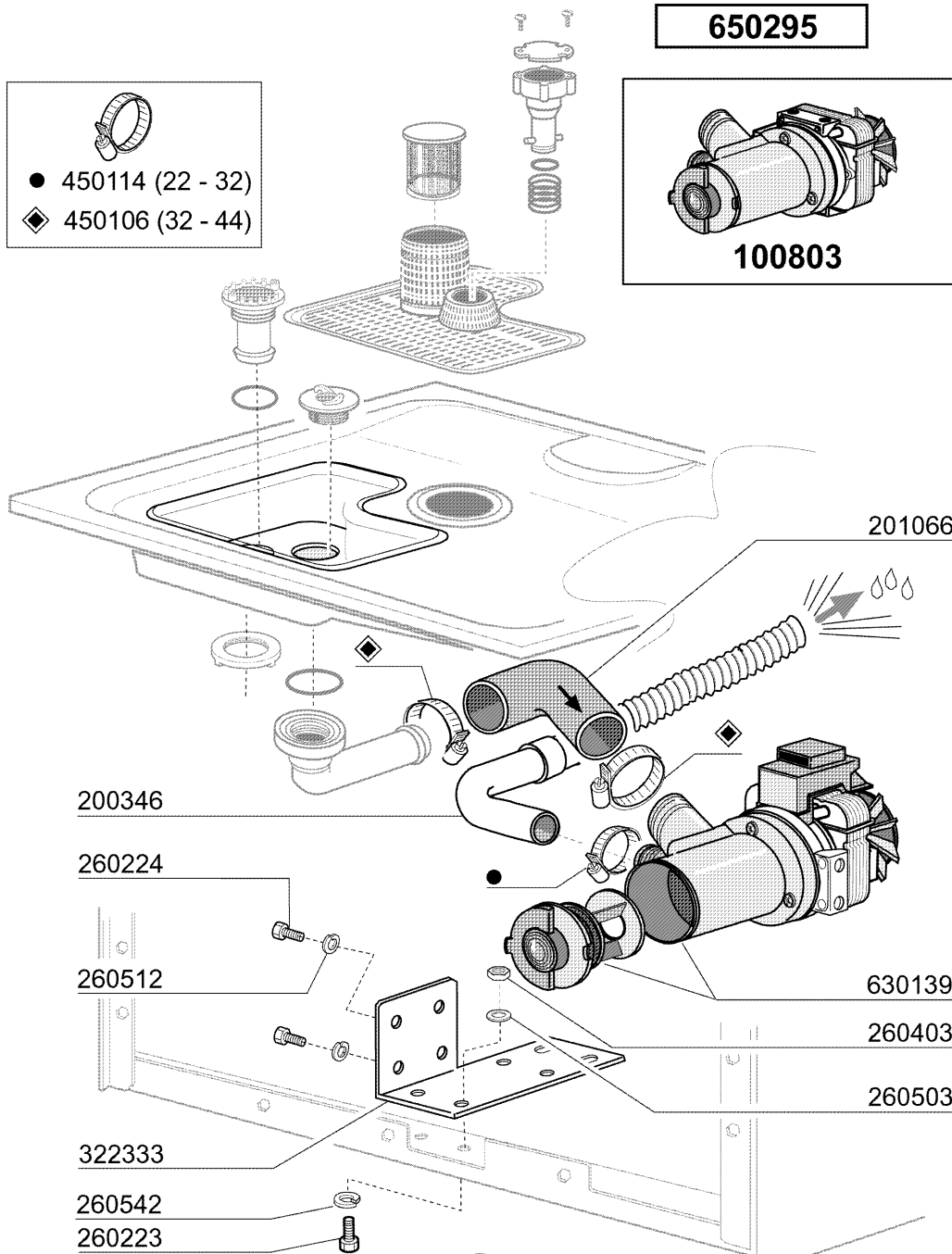
11 - Rinse aid injector



09 - 2007 | S. AG.

11 - Rinse aid injector

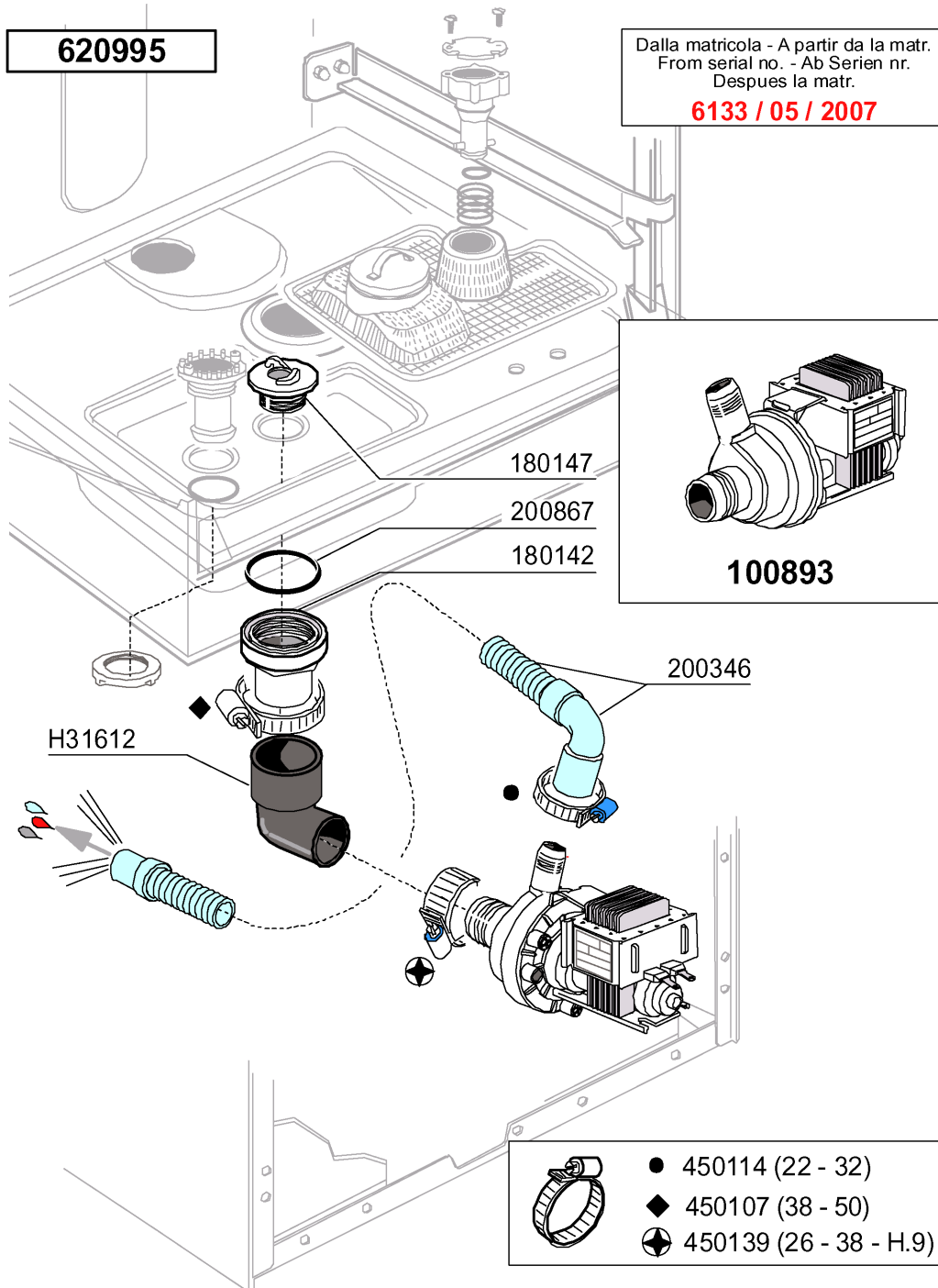
CODE	DESCRIPTION
160714	PLUG FOR RINSE AID INJECTOR MO
170701	LOCK NUT 1/2" F.INJECTOR
180306	NIPPLE F.RINSE AID INJECTOR
190107	COVER FOR RINSE AID DISPENSER
190108	VOLUTE FOR RINSE AID DISPENSER
190803	GASKET SUPPORT RING F.INJECT
191018	FILTER SUPPORT RINSE AID INJEC
200444	SUCTION VALVE RINSE INJECTOR
200816	O-RING 2,5X59,2X64,2 RINSE INJ
200825	O-RING 3X5X11 RINSE INJECTOR
200861	O-RING 14X18X2
260142	SCREW TE 4X16
260213	SCREW TCP 5X25
260402	STAINLESS STEEL NUT D4 UNI 55
260404	STAINLESS STEEL NUTS D6 UNI 55
260512	ST/ST GROWER WASHER D6
330543	FILTER RINSE AID INJECTOR D.17
340483	PISTON FOR RINSE AID DISPENSER
381105	DIAPHRAGME DISC
440405	GASKET FOR RINSE AID INJ.
450214	SPRING RINSE AID INJECTOR
620120	RINSE AID INJECTOR
630614	DIAPHRAGM RINSE INJECTOR



07- 2005 | S. AG.

12 - Drain pump

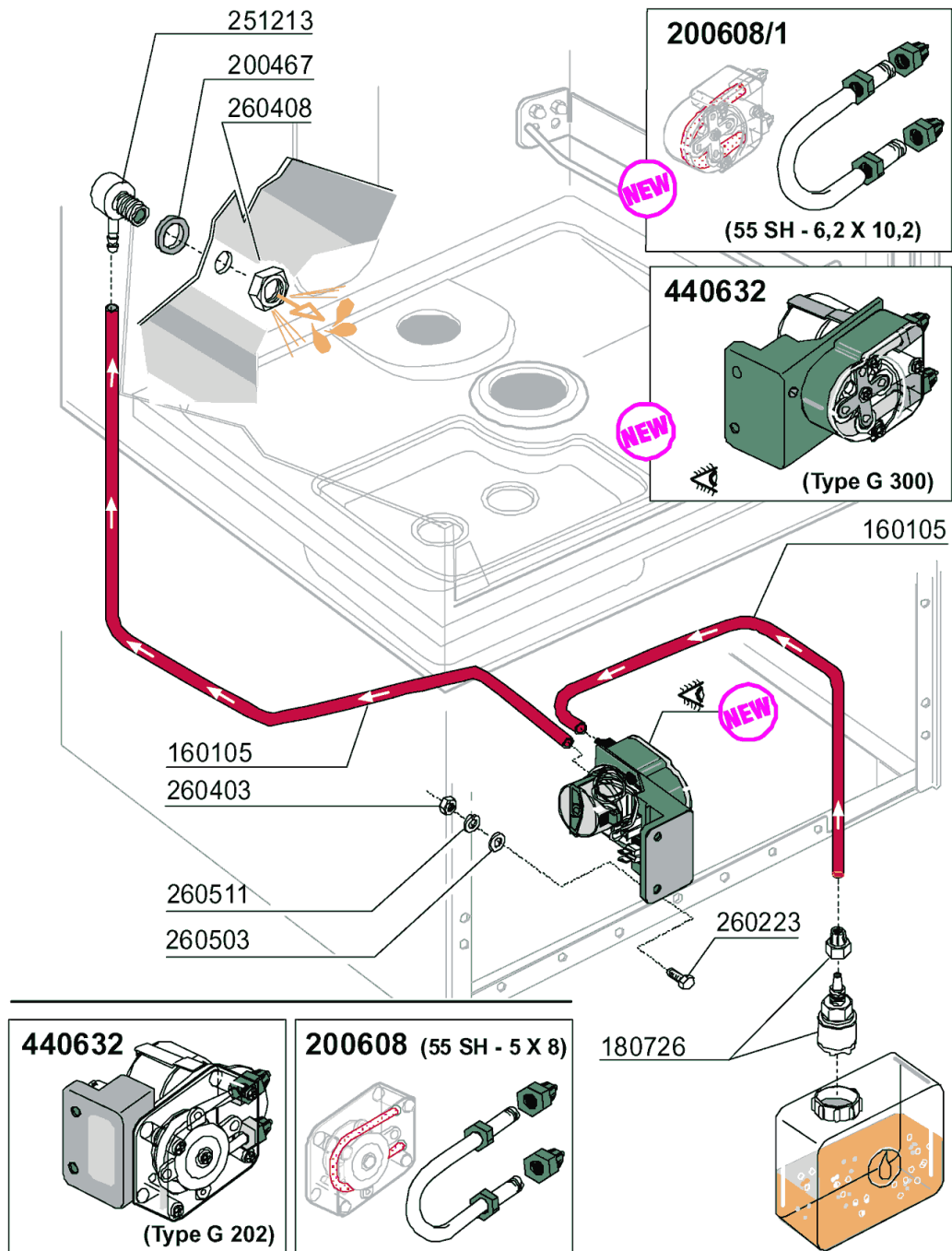
CODE	DESCRIPTION
100803	DRAIN PUMP WITH FILTER 220/50
200346	DRAIN HOSE GLASSWASHER
201066	INLET HOSE LB DRAIN PUMP
260223	M5X12 MSH/HD SCREW SPECIAL S/S
260224	TB-SCREW 6X15 B23-10-11-12
260403	NUTS D.5
260503	STAINL.STEEL FLAT WASHER D5 UN
260512	ST/ST GROWER WASHER D6
260542	WASHER D.5
322333	HRU COVER
450106	CLAMP FE ZN 32-44 H=12,2
450114	CLAMP FE ZN.22-32 H=12,2
630139	DRAIN PUMP VOLUTE WITH FILTER
650295	DRAIN PUMP KIT LF2004



07 - 2007 | S. AG.

13 - Drain pump

CODE	DESCRIPTION
100893	DRAIN PUMP 30W 230/50
180142	CONNECTOR FOR DRAIN PUMP
180147	NUT
200346	DRAIN HOSE GLASSWASHER
200867	GASKET
450107	CLAMP FE ZN 38-50 H=12,2
450114	CLAMP FE ZN.22-32 H=12,2
450139	CLAMP 26-38 H=9
620995	DRAIN PUMP KIT LF MODELS 2007
H31612	HOSE FOR DRAIN PUMP



14 - Detergent dispenser

CODE	DESCRIPTION
160105	INJECT.INLET HOSE D.6X4
180726	STREINER FOR RINSE AID INJECTO
200467	DUTRAL GASKET F. AIR TRAP
200608	DETERGENT DISPENSER HOSE
200608/1	HOSE FOR DISPENSER GERMAC G300
251213	INJECTIOR S/S FOR DETERGENT IN
260223	M5X12 MSH/HD SCREW SPECIAL S/S
260403	NUTS D.5
260408	S/S NUTS D.12
260503	STAINL.STEEL FLAT WASHER D5 UN
260511	GROWER WASHER D.5
440632	DETERGENT INJECTOR